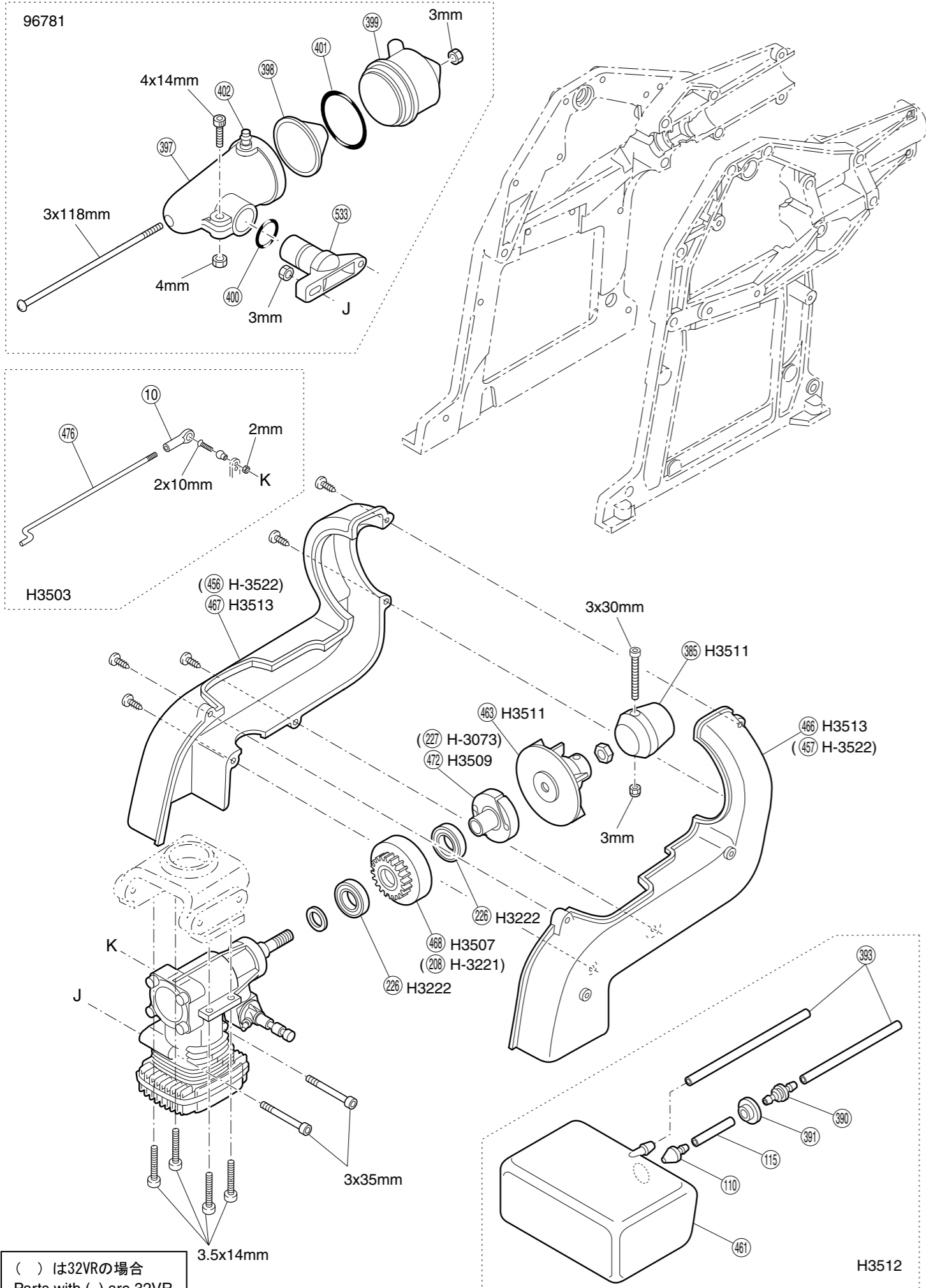
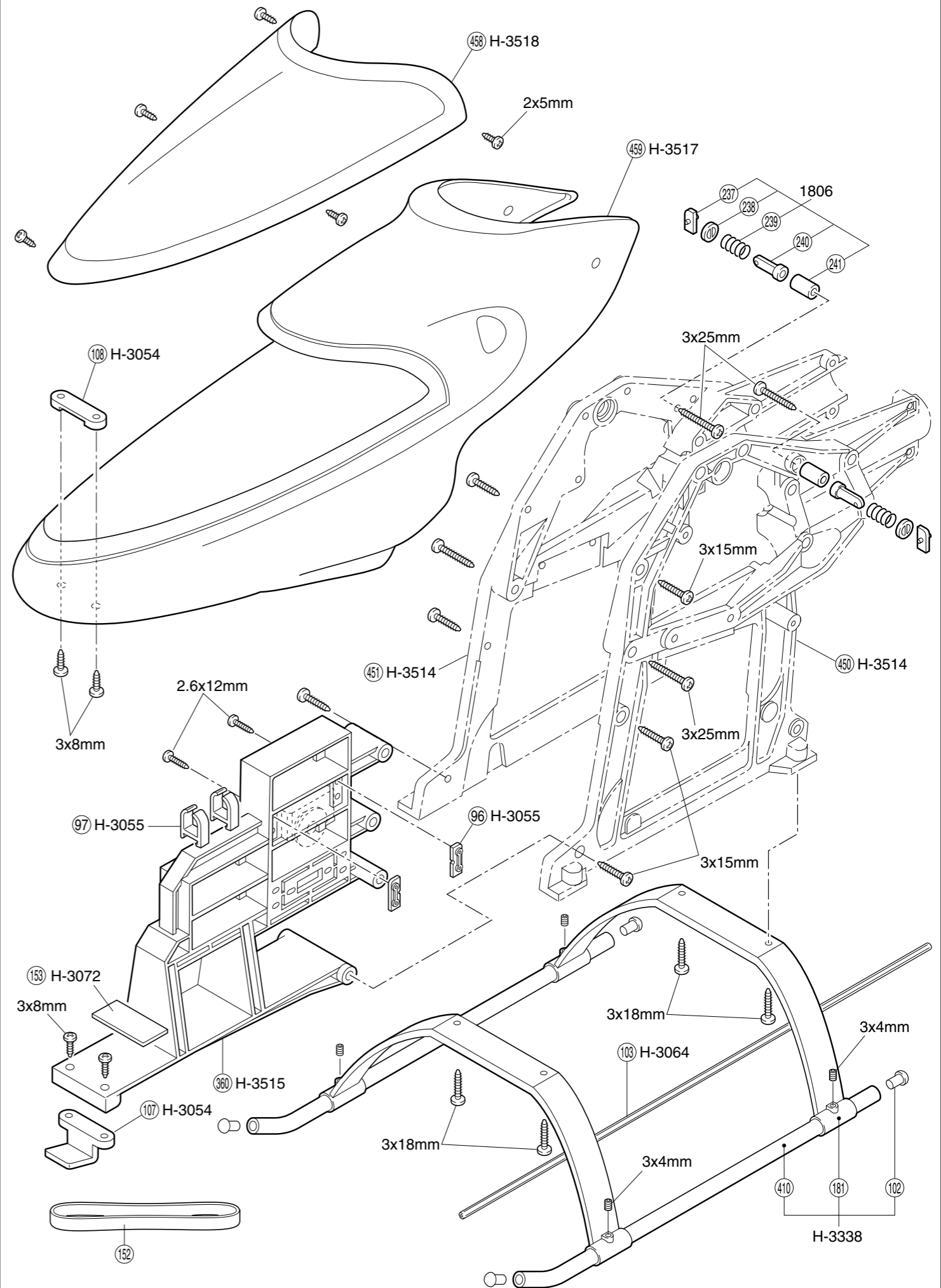


< EXPLODED VIEW (3) >



() は32VRの場合
Parts with () are 32VR.

< EXPLODED VIEW (4) >



< EXPLODED VIEW (5) >

